

SPECIFICATIONS – BCD-AHS/V2



**BRAMAL LED**



**AutoHydro™ System**

BCD-AHS/V2

## Bramal LED's Complete Auto-Adjusting Hydroponic System

### PRODUCT OVERVIEW

Expanding on Bramal LED's R&D capabilities, the AutoHydro™ System was designed to compliment the horticultural art of hydroponics along with Bramal LED's energy efficient LED light tubes. As automation is a well sought-after feature in today's technology, we have integrated a motor control system commanded by an array of sensors in order to maximize the plant growth of your system.

### TYPICAL APPLICATIONS

- 🌱 Residential Growing
- 🌱 Commercial Growing
- 🌱 Lab Testing



### WHY HYDROPONICS?

- 🌱 Increased rate of growth (+30%)
- 🌱 Less water consumption over conventional soil system
- 🌱 Sterile environment for plant production (no need for pesticides)
- 🌱 Requires less maintenance over conventional soil system



BCD-AHS/V2

### KEY FEATURES

- 🌱 Real time system monitoring using low-power sensors
  - **Light:** Instantaneous intensity indication needing adjustment depending on specific plant growth specifications
  - **Temperature:** Optimal growth conditions depend heavily on temperature
  - **Proximity:** As plant grows vertically, the Bramal LED light tube will need height adjustment based on the proximity of the plant
- 🌱 Microcontroller Sensing
  - Built-in features enables extensive communication between user and system (control parameters, various fault detections, system diagnostics)

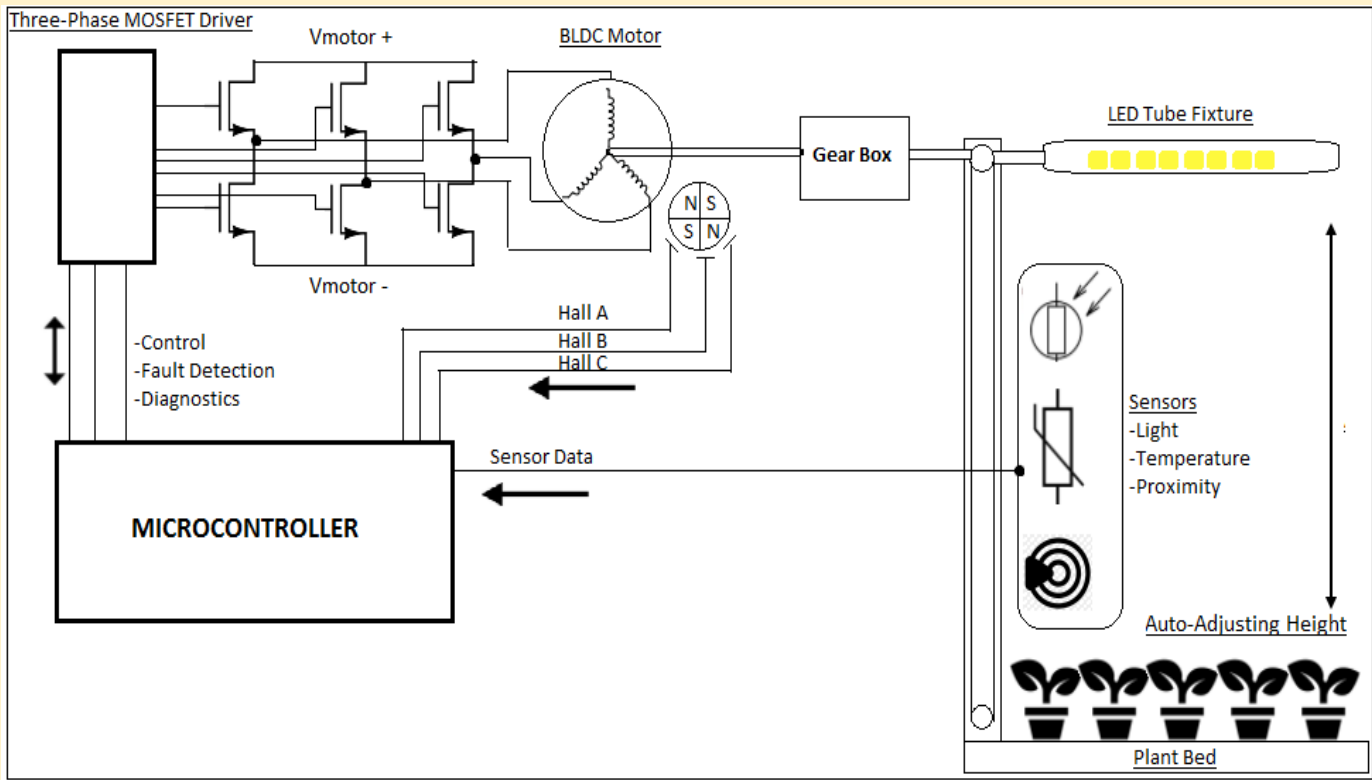


**AutoHydro™**

Tel: (450) 763-1443  
[BRAMALLED.COM](http://BRAMALLED.COM)

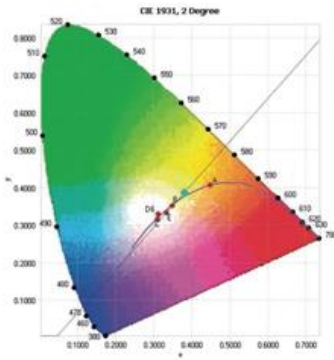


## SYSTEM OVERVIEW

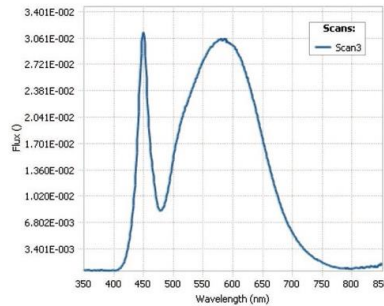


## BRAMAL LED LIGHT CHARACTERISTICS

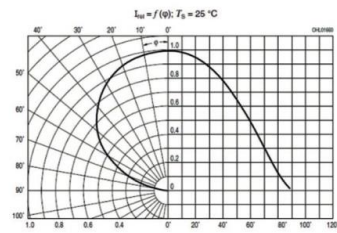
CIE 1931 CHROMATICITY DIAGRAM



SPECTRAL FLUX GRAPH



RADIATION CHARACTERISTIC



- LED Power Consumption: *16 W*
- Luminous Efficiency: *121.3 lm/w*
- Color Rendering Index (CRI): *82*
- Lifespan: *80 000+ hours*



**AutoHydro™**

Tel: (450) 763-1443  
BRAMALLED.COM

